

SIEMENS



1MB0061 隔爆型三相异步电动机  
SIMOTICS XP 1MB0061 explosion  
proof motors



# 目录

## Contents

概述 Overview.....	3
订货号 Order No.....	7
选型技术数据表 Technical data table .....	9
选件 Options.....	13
外形尺寸 Dimension drawings .....	14
认证 Certificates .....	18

# 概述

# Overview



额定功率: 0.55 ~ 315 kW	Rated output: 0.55 ~ 315 kW
机座号: 80 ~ 355	Frame Size: 80 ~ 355
电压与频率: 380 V 50Hz, 380 /660 V 50Hz	Rated voltage: 380V 50Hz, 380 /660 V 50Hz
冷却方式: IC411	Cooling method: IC411
隔爆标志: Ex d IIB T4 Gb	Flame proof marking: Ex d IIB T4 Gb
防护等级: IP55	Protection degree: IP55
绝缘系统: F 级	Insulation class: F
注油装置: 机座号为 250 ~ 355 的 电机标配	Re-greasing device: Frame size 250~355 motor standard
环境温度: -20 ~ 40 °C	Coolant temperature: -20 ~ 40 °C
海拔高度: 不超过 1000 m	Site altitude: Up to 1000 m above sea level

SIMOTICS XP 1MB0061 (简称“1MB0061”)系列高效隔爆型三相异步电动机是全封闭、自扇冷高效电动机，其效率满足 GB18613-2012 能效等级 3 级标准要求，以及 IEC60034-30 标准的 IE2 能效等级。该系列具有性能优良，使用安全可靠，振动小、噪声低等特点，并且符合环保要求；

其生产设备采用先进的数控机床设备、引用西门子先进的绝缘结构设计以及制造工艺，采用优质的冷轧硅钢片以及经过严格质量检测与控制的高品质轴承。

1MB0061 系列电动机防爆性能符合 GB3836.1-2010《爆炸性气体环境用电气设备第 1 部分：通用要求》和 GB3836.2-2010《爆炸性气体环境用电气设备第 2 部分：隔爆型“d”》的规定适用的场所：

- Ex d IIB T4 Gb 适用于工厂用 II 类 B 级，温度组别为 T4 组爆炸性气体混合物存在的环境。

1MB0061 系列危险环境用高效隔爆型三相异步电动机，标准防爆级别达到 Ex d II B T4 Gb，广泛适用于石化工厂等危险场所。

SIMOTICS XP 1MB0061 (short as "1MB0061") series flameproof three-phase asynchronous motors is totally enclosed fan cooled structure, whose efficiency is in accordance with GB18613-2012 Grade 3 standard. and IE2 according to IEC60034-30. This series of products has high performance, safe and reliable use, small vibration, low noise characteristics, and conforms to the requirements of environmental protection;

The production equipments employ the advanced CNC machine tools, reference Siemens advanced insulation structure design and manufacturing process, adopt the cold rolled silicon steel sheets of excellent quality and high quality bearings that passed strict quality inspection and control.

1MB0061 series flameproof motors meet the standard of GB3836.1-2010 and GB3836.2-2010, it can be applied in the following areas:

- Ex d IIB T4 Gb Suitable for factory where explosive gas atmosphere in Group II B and Temperature. classes T4 exists.

1MB0061 series flameproof three-phase motors, are designed for "Ex d II B T4 Gb" as standard. Motors are widely applied in chemical, oil and gas industries.

## 技术特点

- **机械特性硬**  
1MB0061系列电动机的启动转矩和最大转矩较大，过载能力强
- **高品质轴承和润滑脂**  
1MB0061系列电机采用国际知名品牌、高品质轴承以及润滑脂，保证电机可以可靠、稳定的运行。
- **噪声低**  
通过优化电磁设计、通风、结构设计等，1MB0061系列电动机的噪声较低。
- **可靠性好**  
电动机为全封闭风冷结构，防护等级IP55，电动机机械强度高，坚固耐用，防锈防腐性强。绕组可靠性好，采用F级绝缘结构，B级考核。
- **采用高品质硅钢**  
1MB0061系列电机采用高品质硅钢片，保证电动机噪声低、电机性能一致性好。

## Technical Features

- **Higher stiffness of mechanical performance**  
1MB0061 series motors have higher starting torque and maximum torque. which help the motor have higher performance of overload.
- **High quality bearing and lubrication**  
1MB0061 series motors is equipped with well-known foreign brand bearing and lubrication. This ensure the motor having features higher reliability.
- **Low noise**  
The 1MB0061 range has been designed to minimize motors noise levels, by means of improving magnetic and electrical design, ventilator condition, and structure assembling size and technology.
- **High reliability**  
Motor is totally enclosed fan cooled structure with IP55. High mechanical strength and high anticorrosive property.
- **High quality of lamination**  
Utilization of high quality lamination ensure lower noise and better consistency of quality for the 1MB0061 series of motors.

## 安装结构型式

## Construction and mounting type

结构型式 Construction type	机座带底脚，端盖无法兰 With feet and without flange on the end-shield (DE)					
安装型式 Mounting type	IM B3 80 ~ 355	IM B6 80 ~ 160	IM B7 80 ~ 160	IM B8 80 ~ 160	IM V5 <sup>1)</sup> 80 ~ 160	IM V6 <sup>2)</sup> 80 ~ 160
示意图 Diagram						
结构型式 Construction type	机座不带底脚，端盖有法兰 Without feet and with flange on the end-shield (DE)			机座带底脚，端盖有法兰 With feet and with flange on the end-shield (DE)		
安装型式 Mounting type	IM B5 80 ~ 280	IM V1 <sup>1)</sup> 80 ~ 315	IM V3 <sup>2)</sup> 80 ~ 160	IM B35 80 ~ 355	IM V15 <sup>1)</sup> 80 ~ 160	IM V35 <sup>2)</sup> 80 ~ 160
示意图 Diagram						

<sup>1)</sup> 室外使用时推荐使用护罩（选件号 H00）；

<sup>2)</sup> 当户外安装时，推荐对电动机轴采取防护措施，避免水直接喷射到电动机轴上。

<sup>1)</sup> At outdoor application, the using of protective cover (Option code H00) is recommended

<sup>1)</sup> At out door application the protection of shaft again jet-water is recommended

## 轴承选配

## Bearing Assignment

机座号 Frame size	极数 Pole	标准配置 Standard		
		驱动端轴承 DE bearing	非驱动端轴承(水平安装) NDE bearing (horizontal mounting)	非驱动端轴承(立式安装) NDE bearing (Vertical mounting)
80	2-6	6204-2RZ C3	6204-2RZ C3	6204-2RZ C3
90	2-6	6205-2RZ C3	6205-2RZ C3	6205-2RZ C3
100	2-6	6206-2RZ C3	6206-2RZ C3	6206-2RZ C3
112	2-6	6206-2RZ C3	6206-2RZ C3	6206-2RZ C3
132	2-8	6208-2RZ C3	6208-2RZ C3	6208-2RZ C3
160	2-8	6309-2RZ C3	6209-2RZ C3	6209-2RZ C3
180	2-8	6310-C3	6210-C3	6210-C3
200	2-8	6312-C3	6212-C3	6212-C3
225	2-8	6313-C3	6213-C3	6213-C3
250	2-8	6314-C3	6215-C3	7215 AC
280	2-8	6317-C3	6217-C3	7217 AC
315	2	6319-C3	6317-C3	7317 AC
	4-10	6319-C3	6319-C3	7319 AC
355	2	6319-C3	6319-C3	-
	4-10	6322-C3	6322-C3	-

注： - 不能满足

Note: - Not possible

## 按爆炸性混合物的自然温度 (°C) 分组

## Temperature classes

电子设备的温度等级 Temperature class of electrical equipment	电子设备的最大表面温度  Maximum surface temperature of electrical equipment	气体或蒸汽的点燃温度 Ignition temperature of gases or vapors
T1	450°C	> 450°C
T2	300°C	> 300°C
T3	200°C	> 200°C
T4	135°C	> 135°C
T5	100°C	> 100°C
T6	85°C	> 85°C

## 爆炸性气体（Gases）和蒸气（Vapours）的分组和温度等级

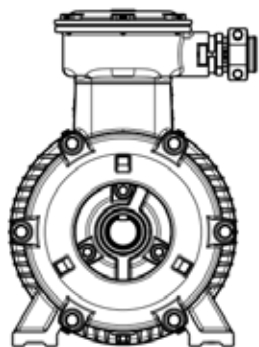
### Examples of the assignment of combustible gases and vapors

爆炸性 气体分组 Group	按爆炸性混合物的自然温度 (°C) 分组 Temperature classes											
	T1		T2		T3		T4		T5		T6	
	材料名称 Material designation	最低点燃温度 Minimum ignition temperature °C	材料名称 Material designation	最低点燃温度 Minimum ignition temperature °C	材料名称 Material designation	最低点燃温度 Minimum ignition temperature °C	材料名称 Material designation	最低点燃温度 Minimum ignition temperature °C	材料名称 Material designation	最低点燃温度 Minimum ignition temperature °C	材料名称 Material designation	最低点燃温度 Minimum ignition temperature °C
IIA	丙酮 Acetone	540	醋酸戊酯 i-amyl acetate	380	汽油 Benzine		乙醛 Acetaldehyde	140				
	乙烷 Ethane	515	正丁烷 n-butane	365	汽油 <sup>1)</sup> Gasoline							
	乙酸乙酯 Ethyl acetate	460	正丁醇 n-butyl alcohol	340	特殊汽油 <sup>1)</sup> Special benzine							
	氯乙烷 Ethyl chloride	510	环己酮 Cyclohexanone	430	柴油燃料 <sup>1)</sup> Diesel fuel							
	氨 Ammonia	630	二氯乙烷 1,2- dichloroethane	440	民用燃油 <sup>1)</sup> Heating oils							
	苯 Benzene	555	乙酸酐 / 醋酸酐 Acetic acid anhydride	330	n-正己烷 n-hexane	240						
	醋酸 Acetic acid	485										
	一氧化碳 Carbon monoxide	605										
	甲烷 Methane	595										
	甲醇 Methanol	455										
	氯甲烷 Methyl chloride	625										
	萘 Naphthalene	520										
	苯酚 Phenol	595										
	丙烷 Propane	470										
甲苯 Toluene	535											
II B	城市煤气 (照明气) Town gas (illuminating gas)	560	乙醇 Ethyl alcohol	425	硫化氢 Hydrogen sulfide	270	乙基醚 Ethyl ether	180				
			乙烯 Ethylene	425								
			环氧乙烷 Ethylene oxide	440								
II C	氢 Hydrogen	560	乙炔 Acetylene	305						二硫化碳 Carbon disulfide	95	

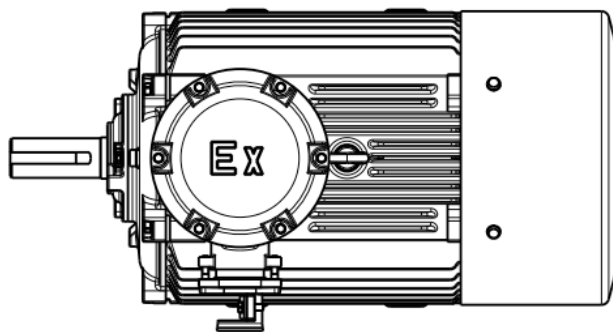
<sup>1)</sup> 最低点燃温度取决于可燃物成分，温度范围会在 220°C 至 300°C 之间；在有些特殊的场所，最低点燃温度会超过 300°C

<sup>1)</sup> The minimum ignition temperature depends on the composition and lies between 220 and 300 °C, over 300 °C in special cases.

## 接线盒



## Terminal box



电动机接线盒具有优良的隔爆结构性能和较高防护等级，且具有较大的空腔以便于接线，进线分为橡胶套电缆和钢管布线（可选）两种结构。接线盒进线孔及适用范围见表 5。

The connection box has the features of flame proof structure, high protection degree, and bigger space for easier connection. There are two types of cable entry, one is for rubber shielded cable entry (standard), and another one is conduit entry (option). The technical features of connection box are shown as following table 5.

适用机座号 Frame size	接线螺栓尺寸 Dimension of Contact screw	进线孔数 Cable entry	进线电缆外径 Dimension of Gland	钢管布线进线孔螺纹 <sup>4)</sup> Dimension of conduit entry
80 ~ 100	小 M5 <sup>3)</sup>	单	Ø13 ~ Ø24	M30 × 2
112 ~ 132	M5	单	Ø13 ~ Ø24	M30 × 2
160 ~ 180	M6	单	Ø13 ~ Ø34	M36 × 2
200 ~ 225 <sup>1)</sup>	M8	单	Ø19 ~ Ø41	M48 × 2
200 ~ 225 <sup>2)</sup>	M8	双	Ø19 ~ Ø41	M48 × 2
250 ~ 280	M10	双	Ø19 ~ Ø41	M48 × 2
315 ~ 355	M16	双	Ø30 ~ Ø49	M64 × 2

<sup>1)</sup> 标准配置

<sup>3)</sup> 接线盒内只有 3 个接线螺栓

<sup>1)</sup> Standard configuration

<sup>3)</sup> Only 3 contact screws in connection box

<sup>2)</sup> 可选，选件为 X96

<sup>4)</sup> 可选，选件为 X97

<sup>2)</sup> Option code X96

<sup>4)</sup> Option code X97

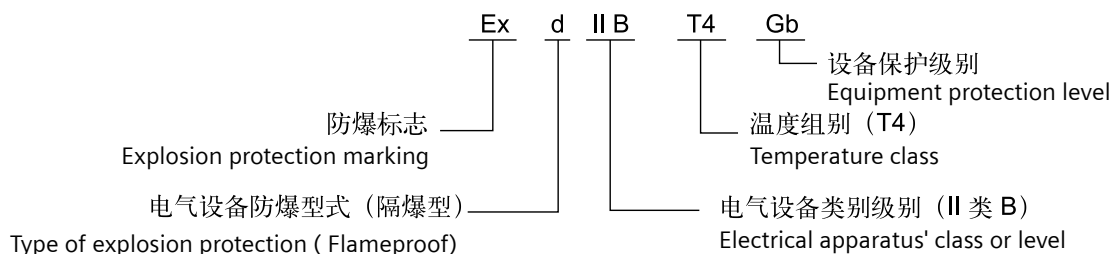
## 铭牌示例（非矿用）

## Nameplate( Non-mining)

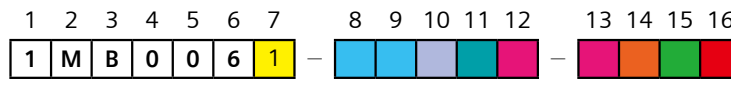
<b>SIEMENS</b> FLAMEPROOF THREE-PHASE ASYNCHRONOUS MOTOR									
Made in P.R.China 中国制造 隔爆型三相异步电动机 <b>Ex</b>									
TYPE	1MB0081-3A80	3-3AA4-Z	315S	IMB3	IP55	878kg	LMH- 1508 / 800003888993 / 001		
V	Hz	kW	A	EFF.	cos φ	r/min	Th.Cl. 155(F)	EFF.Cl.	
380△/660Y	50	110	210/120	94.5 %	0.85	1488	Ex d II B T4 Gb	IE2	
440 △	60	123	200	94.2 %	0.85	1790	CNEx15.4056		
BRG DE 6319-C3		GREASE: Unirex N3		Quantity: 170g/170g		Q/321081 KJA009-2015			
BRG NDE 6319-C3		Re-grease interval :3000h		GB18613-2012 Eff.-Grade3		IEC60034-30			
SIEMENS STANDARD MOTORS LTD. 西门子电机（中国）有限公司									

## 防爆标志（非矿用）

## Flame proof-marking(Non-mining)



# 订货号 Order NO.



隔爆型系列电机 Flame proof motor series

能效等级 Efficiency grade

1 = 高效电动机, 中国能效等级 3 级

1 = High Efficiency, China Energy Efficiency Grade 3

机座号 (中心高) 编号 Code of frame size

0D = 080 / 0E = 090

1A = 100 / 1B = 112 / 1C = 132 / 1D = 160 / 1E = 180

2A = 200 / 2B = 225 / 2C = 250 / 2D = 280

3A = 315 / 3B = 355

极数编号 Code of poles

A = 2 / B = 4 / C = 6 / D = 8

铁心长度编号 Code of frame length

0 or 1 = S (short) ; 2 or 3 = M (medium) ; 4 or 5 or 6 or 7 = L (long)

电压, 连接方式和频率编号 Code of voltage, connections and frequency

90<sup>1)</sup> = 特殊电压 special voltage

33 = 380VD/660VY 50Hz

结构和安装方式编号 Code of Construction and mounting type

A<sup>2)</sup> <sup>3)</sup> = IM B3

T<sup>3)</sup> = IM B6

D<sup>3)</sup> = IM V6

H<sup>3)</sup> <sup>5)</sup> = IM V3

J<sup>3)</sup> = IM B35

U<sup>3)</sup> = IM B7

W<sup>3)</sup> <sup>6)</sup> = IM V15

F<sup>3)</sup> <sup>4)</sup> <sup>5)</sup> = IM B5

V<sup>3)</sup> = IM B8

Y<sup>3)</sup> = IM V35

C<sup>3)</sup> <sup>6)</sup> = IM V5

G<sup>3)</sup> <sup>5)</sup> <sup>6)</sup> = IM V1

绕组保护编号 Code of winding protection

A = 无绕组保护 without winding protection

接线盒位置编号 (从驱动端看) Code of connection box location (view from drive end)

4 = 顶端出线 on top



**附注:**

- 1) 380VY 50Hz, 电动机订货号第 12、13 号代码为 90, 且须带选项 M3F, 仅适用于 3kW 及以下功率的电机;
- 2) 当电动机不要求带冷凝水排放孔 (订货号: H03) 时, IM B3 安装结构型式也可适用于 IM B6/7/8 (机座号 80 ~ 160)、不带防护罩的 IM V6 和 IM V5 安装结构型式 (机座号 80 ~ 160), 但电动机铭牌上只标示 IM B3 安装结构型式, 不标示其他安装结构型式;
- 3) 铭牌上标有指定的安装结构型式;
- 4) 当电动机不要求带冷凝水排放孔, IM B5 安装结构型式也可适用于不带防护罩的 IM V1, 以及 IM V3 (机座号 80 ~ 160), 但电动机铭牌上只标示 IM B5 安装结构型式, 不标示其他安装结构型式;
- 5) 对于 IM B5、IM V1、IM V3 安装结构型式电动机, 须指定电动机订货号第 16 位数字为“4”;
- 6) 电动机标配无防雨罩, 但如需要加带防雨罩用于防护时, 须订购选项号 H00。

**Foot note:**

- 1) 380VY 50Hz, the 12th, 13th digit of motor order No. must be "90", which must select option M3F, Only apply to the motor whose power is 3kw at most.
- 2) The types of construction IM B6/7/8 without protective cover are also possible as long as no condensation drainage holes (Order code: H03) and IM V6 and IM V5 no stamping of these types of construction on the rating plate are required. As standard, the type of construction IM B3 is then stamped on the rating plate.
- 3) Nameplate mark construction and mounting type
- 4) The types of construction IM V1 and IM V3 (Frame size: 80~160) without protective cover are also possible as long as no condensation drainage holes and no stamping of these types of construction on the rating plate are required. As standard, the type of construction IM B5 is then stamped on the rating plate.
- 5) For motor with IM B5, IM V1, IM V3, IM B14, IM V18 and IM V19 construction and mounting type, the 16th digit of motor order No. must be "4";
- 6) Without canopy, for protective cover with canopy needed Option code H00.

**订货号样例:**

隔爆型三相低电压高效电机

4 极, 15 kW, IM B3, 380VD/660VY, 50Hz, IP55, Ex d IIB T4 Gb, 满足 GB18613-2012 标准能效等级 3 级。

电机编号描述规则: 1MB0061-1DB43-3AA4

电动机订货号解释

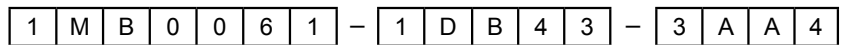
**Order No. example:**

Flameproof Three-phase Low-voltage high efficiency Motors

4-pole, 15 kW, IM B3, 380VD/660VY, 50Hz, IP55, Ex d IIB T4 Gb, Meet GB18613-2012 standard of energy efficiency grade 3.

Motor number description rules: 1MB0061-1DB43-3AA4

Motor order code introduction



隔爆型三相异步电动机

Flameproof Three-phase Induction Motors

机座号 (中心高): 160

Frame size: 160

极数: 4 极

Poles: 4

铁心长度: 4

Frame length: 4

电压, 连接方式和频率: 380 VD / 660 VY 50Hz

Voltage, connection method and frequency : 380VD/660VY 50 Hz

结构型式: IM B3

Construction : IM B3

绕组保护: 无

Winding protection : None

接线盒位置: 顶置

Connection box position: On top

# 选型技术数据表

# Technical data table

机座号 Frame Size	型号 Motor Type	额定功率 Rated Output kW	额定转速 Rated Speed rpm	GB18613-2012 能效等级 3 级 IEC60034-30.2008 IE2 效率等级 GB18613-2012 energy efficiency 3 grade IEC60034-30.2008 IE2 efficiency grade				额定转矩 Rated torque Nm	起动电流 / 额定电流 $I_s/I_n$	起动转矩 / 额定转矩 $T_s/T_n$	最大转矩 / 额定转矩 $T_{MAX}/T_n$	转动惯量 Moment of inertia (J) kgm <sup>2</sup>	重量 weight IM B3 kg	噪声 Noise levels L <sub>pfA</sub>
				效率 efficiency (4/4 负载 load) %	效率 efficiency (3/4 负载 load) %	Power factor cos φ	额定 电流 $I_n$ A							
<b>3000rpm 2 - 极</b>														
<b>380 VY 50 HZ<sup>1)</sup></b>														
80M	1MB0061-0DA29-0 □□□□	0.75	2795	77.4	78.5	0.84	1.75	2.6	5.6	2.4	2.4	0.00080	25.6	53
80M	1MB0061-0DA39-0 □□□□	1.1	2835	79.6	80.6	0.84	2.50	3.7	6	2.8	3.2	0.0012	26.9	53
90S	1MB0061-0EA09-0 □□□□	1.5	2890	81.3	81.7	0.84	3.35	5.0	6.5	2.4	3.1	0.0021	32	60
90L	1MB0061-0EA49-0 □□□□	2.2	2890	83.2	83.7	0.85	4.75	7.3	7.2	2.6	3.5	0.0026	35.7	60
100L	1MB0061-1AA49-0 □□□□	3	2885	84.6	85.1	0.84	6.4	9.9	7.5	4	4.5	0.0036	46.5	62
<b>3000rpm 2 - 极</b>														
<b>380 VD/660 VY 50 HZ</b>														
112M	1MB0061-1BA23-3 □□□□	4	2930	85.8	86.6	0.86	8.2	13.0	7.5	2.2	2.9	0.0064	57.7	63
132S	1MB0061-1CA03-3 □□□□	5.5	2930	87.0	87.6	0.87	11.0	17.9	7.5	2.2	2.9	0.014	76	66
132S	1MB0061-1CA13-3 □□□□	7.5	2930	88.1	88.8	0.89	14.5	24.4	7.5	2.3	2.9	0.017	82	66
160M	1MB0061-1DA23-3 □□□□	11	2935	89.4	90.1	0.86	21.5	35.8	7.5	2.2	2.9	0.031	127	67
160M	1MB0061-1DA33-3 □□□□	15	2935	90.3	91.0	0.86	29.5	48.8	7.5	2.4	3.2	0.038	131	67
160L	1MB0061-1DA43-3 □□□□	18.5	2935	90.9	91.7	0.89	34.5	60.2	7.5	2.4	3.2	0.046	145	67
180M	1MB0061-1EA23-3 □□□□	22	2935	91.3	91.8	0.87	42.0	71.6	7.6	2.5	3.2	0.072	190	69
200L	1MB0061-2AA43-3 □□□□	30	2955	92.0	92.3	0.86	58	97.0	7.5	2.5	3.2	0.13	273	71
200L	1MB0061-2AA53-3 □□□□	37	2955	92.5	92.8	0.88	69	120	7.5	2.5	3.2	0.15	291	71
225M	1MB0061-2BA23-3 □□□□	45	2965	92.9	93.1	0.88	84	145	7.9	2.5	3.1	0.24	353	74
250M	1MB0061-2CA23-3 □□□□	55	2970	93.2	93.2	0.88	102	177	7.5	2.5	3	0.42	439	74
280S	1MB0061-2DA03-3 □□□□	75	2975	93.8	93.8	0.87	140	241	7.5	2.8	3	0.75	603	74
280M	1MB0061-2DA23-3 □□□□	90	2978	94.1	94.1	0.87	167	289	7.5	3	3.1	0.88	650	76
315S	1MB0061-3AA03-3 □□□□	110	2982	94.3	94.3	0.90	197	352	7.5	2.2	2.6	1.4	865	78
315M	1MB0061-3AA23-3 □□□□	132	2982	94.6	94.6	0.91	235	423	7.5	2.3	2.9	1.7	1035	78
315L	1MB0061-3AA53-3 □□□□	160	2982	94.8	95.1	0.92	280	512	7.5	2.5	2.8	1.9	1076	81
315L	1MB0061-3AA73-3 □□□□	200	2982	95.0	95.3	0.92	350	641	7.5	2.5	2.8	2.3	1200	81
355M	1MB0061-3BA23-3 □□□□	220	2980	95.0	95.0	0.90	390	705	7.1	2	2.2	2.9	1677	86
355M	1MB0061-3BA33-3 □□□□	250	2980	95.0	95.0	0.90	445	801	7.1	2	2.2	3.0	1757	86
355L	1MB0061-3BA53-3 □□□□	280	2980	95.0	95.1	0.90	500	897	7.1	2	2.2	3.5	1857	88
355L	1MB0061-3BA63-3 □□□□	315	2980	95.0	95.1	0.90	560	1009	7.1	2	2.3	3.5	1997	88

<sup>1)</sup> 380VY 50Hz, 电动机订货号第 12、13 号代码为 90, 且须带选件 M3F;

<sup>2)</sup> 关于绕组保护和接线盒位置的编码, 请见第 6 页“订货号”部分;

<sup>3)</sup> 噪声值仅适用于电动机在 50 Hz 电源直接供电且空载运行时的情况, 容差为 +3 dB。

<sup>1)</sup> 380VY 50Hz, the 12th, 13th digit of motor order No. must be "90";

<sup>2)</sup> About winding protection and connection box position, please refer to Orde No. in page 6.

<sup>3)</sup> Noise value is only applicable to motor in 50 Hz power supply and no-load running directly, tolerance to + 3 dB.

# 选型技术数据表

# Technical data table

机座号 Frame Size	型号 Motor Type	额定功率 Rated Output kW	额定转速 Rated Speed rpm	GB18613-2012 能效等级 3 级 IEC60034-30:2008 IE2 效率等级 GB18613-2012 energy efficiency 3 grade IEC60034-30:2008 IE2 efficiency grade				额定转矩 Rated torque Nm	起动电流 / 额定电流 $I_s/I_n$	起动转矩 / 额定转矩 $T_s/T_n$	最大转矩 / 额定转矩 $T_{MAX}/T_n$	转动惯量 Moment of inertia (J) kgm <sup>2</sup>	重量 weight IM B3 kg	噪声 Noise levels L <sub>pFA</sub>
				效率 efficiency (4/4 负载 load) %	效率 efficiency (3/4 负载 load) %	Power factor cos $\phi$	额定 电流 $I_n$ A							
<b>1500rpm 4 - 极</b>														
<b>380 VY 50 HZ<sup>1)</sup></b>														
80M	1MB0061-0DB29-0 □□□□	0.55	1425	74.0	74.7	0.80	1.40	3.7	6	2	2.7	0.0021	27.5	45
80M	1MB0061-0DB39-0 □□□□	0.75	1440	79.6	79.6	0.75	1.90	5.0	6.5	2.8	3.5	0.0027	27.6	45
90S	1MB0061-0EB09-0 □□□□	1.1	1440	81.4	81.4	0.75	2.75	7.3	7	2.8	3.5	0.0041	35.5	47
90L	1MB0061-0EB49-0 □□□□	1.5	1440	82.8	82.8	0.76	3.60	9.9	7	3	3.8	0.0047	35.9	47
100L	1MB0061-1AB49-0 □□□□	2.2	1435	84.3	85.0	0.79	5.0	14.6	7	3	3.2	0.0081	47.4	55
100L	1MB0061-1AB59-0 □□□□	3	1435	85.5	86.3	0.79	6.7	20.0	7	3	3.2	0.010	50	55
<b>1500rpm 4 - 极</b>														
<b>380 VD/660 VY 50 HZ</b>														
112M	1MB0061-1BB23-3 □□□□	4	1445	86.6	87.1	0.79	8.9	26.4	7.1	2.7	3.1	0.011	61.6	55
132S	1MB0061-1CB03-3 □□□□	5.5	1460	87.7	88.2	0.79	12.1	36.0	7.5	2.5	3.1	0.021	82	57
132M	1MB0061-1CB23-3 □□□□	7.5	1460	88.7	89.4	0.82	15.7	49.1	7.7	2.7	3.2	0.029	93	57
160M	1MB0061-1DB23-3 □□□□	11	1465	89.8	90.4	0.84	22.0	71.7	7.5	2.5	3.1	0.051	120	60
160L	1MB0061-1DB43-3 □□□□	15	1465	90.6	91.3	0.85	29.5	97.8	7.8	2.7	3.2	0.066	146	60
180M	1MB0061-1EB23-3 □□□□	18.5	1465	91.2	91.8	0.85	36.5	121	7.3	2.5	3.2	0.13	202	61
180L	1MB0061-1EB43-3 □□□□	22	1465	91.6	92.3	0.85	43.0	143	7.3	2.4	3.2	0.14	217	61
200L	1MB0061-2AB43-3 □□□□	30	1470	92.3	92.9	0.85	58	195	7.3	2.7	3.2	0.22	282	63
225S	1MB0061-2BB03-3 □□□□	37	1475	92.7	93.2	0.86	71	240	7.3	2.7	3.2	0.45	338	63
225M	1MB0061-2BB23-3 □□□□	45	1475	93.1	93.5	0.87	84	291	7.3	2.7	3.2	0.51	366	63
250M	1MB0061-2CB23-3 □□□□	55	1480	93.5	93.9	0.86	104	355	7.5	3.1	3.5	0.80	469	64
280S	1MB0061-2DB03-3 □□□□	75	1485	94.0	94.3	0.87	139	482	7.5	2.7	3.1	1.4	654	66
280M	1MB0061-2DB23-3 □□□□	90	1485	94.2	94.3	0.87	167	579	7.5	2.7	3.1	1.5	677	66
315S	1MB0061-3AB03-3 □□□□	110	1488	94.5	94.5	0.85	210	706	7.3	2.8	2.9	2.2	878	69
315M	1MB0061-3AB23-3 □□□□	132	1486	94.7	94.7	0.85	250	848	7.3	2.5	2.7	2.5	1014	69
315L	1MB0061-3AB53-3 □□□□	160	1488	94.9	94.9	0.85	300	1027	7.4	3	2.9	3.0	1074	69
315L	1MB0061-3AB73-3 □□□□	200	1488	95.1	95.1	0.85	375	1284	7.4	3	3	3.7	1204	74
355M	1MB0061-3BB23-3 □□□□	220	1490	95.1	95.2	0.89	395	1410	6.9	2	2.2	6.6	1700	82
355M	1MB0061-3BB33-3 □□□□	250	1490	95.1	95.2	0.89	450	1602	6.9	2	2.2	6.9	1786	82
355L	1MB0061-3BB53-3 □□□□	280	1490	95.1	95.2	0.89	500	1795	6.9	2	2.2	7.7	1885	85
355L	1MB0061-3BB63-3 □□□□	315	1490	95.1	95.2	0.89	570	2019	6.9	2	2.2	8.5	2025	85

<sup>1)</sup> 380VY 50Hz, 电动机订货号第 12、13 号代码为 90, 且须带选件 M3F,

<sup>2)</sup> 关于绕组保护和接线盒位置的编码, 请见第 6 页“订货号”部分;

<sup>3)</sup> 噪声值仅适用于电动机在 50 Hz 电源直接供电且空载运行时的情况, 容差为 +3 dB。

<sup>1)</sup> 380VY 50Hz, the 12th, 13th digit of motor order No. must be "90",

<sup>2)</sup> About winding protection and connection box position, please refer to Orde No. in page 6.

<sup>3)</sup> Noise value is only applicable to motor in 50 Hz power supply and no-load running directly, tolerance to + 3 dB.

# 选型技术数据表

# Technical data table

机座号 Frame Size	型号 Motor Type	额定功率 Rated Output kW	额定转速 Rated Speed rpm	GB18613-2012 能效等级 3 级 IEC60034-30.2008 IE2 效率等级 GB18613-2012 energy efficiency 3 grade IEC60034-30.2008 IE2 efficiency grade				额定转矩 Rated torque Nm	起动电流 / 额定电流 $I_s/I_n$	起动转矩 / 额定转矩 $T_s/T_n$	最大转矩 / 额定转矩 $T_{MAX}/T_n$	转动惯量 Moment of inertia (J) kgm <sup>2</sup>	重量 weight IM B3 kg	噪声 Noise levels L <sub>pFA</sub>
				效率 efficiency (4/4 负载 load) %	效率 efficiency (3/4 负载 load) %	Power factor cos $\phi$	额定 电流 $I_n$ A							
<b>1000rpm 6-极</b>														
<b>380VY 50HZ<sup>1)</sup></b>														
80M	1MB0061-0DC39-0 □□□□	0.55	895	71.0	72.0	0.76	1.55	5.9	4.5	2.3	2.3	0.0028	28.2	44
90S	1MB0061-0EC09-0 □□□□	0.75	935	75.9	76.5	0.71	2.10	7.7	5	2.1	2.6	0.0038	32.3	48
90L	1MB0061-0EC49-0 □□□□	1.1	945	78.1	78.1	0.71	3.00	11.1	5.5	2.4	2.8	0.0046	37.7	48
100L	1MB0061-1AC49-0 □□□□	1.5	945	79.8	80.1	0.74	3.85	15.2	5.5	2.4	2.9	0.0086	47.2	54
112M	1MB0061-1BC29-0 □□□□	2.2	950	81.8	82.5	0.73	5.6	22.1	5.5	2.6	3.3	0.012	66	54
132S	1MB0061-1CC09-0 □□□□	3	960	83.3	84.3	0.73	7.5	29.8	6	2	2.2	0.019	77	56
<b>1000rpm 6-极</b>														
<b>380VD/660VY 50HZ</b>														
132M	1MB0061-1CC23-3 □□□□	4	960	84.6	85.4	0.73	9.8	39.8	6.2	2.2	2.5	0.024	87	56
132M	1MB0061-1CC33-3 □□□□	5.5	960	86.0	86.6	0.75	13.0	54.7	6.4	2.4	2.6	0.031	98	56
160M	1MB0061-1DC23-3 □□□□	7.5	965	87.2	87.9	0.77	17.0	74.2	6.4	2.1	2.6	0.056	132	61
160L	1MB0061-1DC43-3 □□□□	11	965	88.7	89.4	0.78	24.0	109	6.4	2.1	2.6	0.077	155	61
180L	1MB0061-1EC43-3 □□□□	15	975	89.7	90.4	0.78	32.5	147	6.5	2.3	3	0.18	202	61
200L	1MB0061-2AC43-3 □□□□	18.5	975	90.4	91.0	0.81	38.5	181	6.5	2.3	2.8	0.27	265	65
200L	1MB0061-2AC53-3 □□□□	22	975	90.9	91.4	0.82	45.0	215	6.5	2.3	2.8	0.32	280	65
225M	1MB0061-2BC23-3 □□□□	30	980	91.7	92.3	0.83	60	292	6.5	2.2	2.8	0.62	359	65
250M	1MB0061-2CC23-3 □□□□	37	982	92.2	92.8	0.83	73	360	7	2.5	2.8	0.91	460	65
280S	1MB0061-2DC03-3 □□□□	45	985	92.7	93.3	0.85	87	436	7.5	2.5	2.8	1.2	570	65
280M	1MB0061-2DC23-3 □□□□	55	986	93.1	93.7	0.85	106	533	7.5	2.5	2.8	1.5	615	65
315S	1MB0061-3AC03-3 □□□□	75	986	93.7	94.3	0.85	143	726	7.3	2.3	2.8	2.3	810	66
315M	1MB0061-3AC23-3 □□□□	90	986	94.0	94.5	0.85	171	872	7.3	2.3	2.8	2.8	965	66
315L	1MB0061-3AC53-3 □□□□	110	988	94.3	94.7	0.86	205	1063	7.5	2.4	2.8	3.9	1095	68
315L	1MB0061-3AC63-3 □□□□	132	988	94.6	95.0	0.86	245	1276	7.5	2.5	3	4.3	1146	68
355M	1MB0061-3BC23-3 □□□□	160	990	94.8	95.1	0.87	295	1543	6.7	1.9	2	7.7	1625	72
355M	1MB0061-3BC33-3 □□□□	185	990	95.0	95.3	0.87	340	1785	6.7	1.9	2	8.4	1745	72
355M	1MB0061-3BC43-3 □□□□	200	990	95.0	95.3	0.87	370	1929	6.7	1.9	2	9.1	1845	75
355L	1MB0061-3BC53-3 □□□□	220	990	95.0	95.3	0.87	405	2122	6.7	1.9	2	10.1	2095	75
355L	1MB0061-3BC63-3 □□□□	250	990	95.0	95.3	0.87	460	2412	6.7	1.9	2	11.4	2200	75

<sup>1)</sup> 380VY 50Hz, 电动机订货号第 12、13 号代码为 90, 且须带选件 M3F;

<sup>2)</sup> 关于绕组保护和接线盒位置的编码, 请见第 6 页“订货号”部分;

<sup>3)</sup> 噪声值仅适用于电动机在 50 Hz 电源直接供电且空载运行时的情况, 容差为 +3 dB。

<sup>1)</sup> 380VY 50Hz, the 12th, 13th digit of motor order No. must be "90",

<sup>2)</sup> About winding protection and connection box position, please refer to Orde No. in page 6.

<sup>3)</sup> Noise value is only applicable to motor in 50 Hz power supply and no-load running directly, tolerance to + 3 dB.

# 选型技术数据表

# Technical data table

机座号 Frame Size	型号 Motor Type	额定功率 Rated Output kW	额定转速 Rated Speed rpm	GB18613-2012 能效等级 3 级 IEC60034-30.2008 IE2 效率等级 GB18613-2012 energy efficiency 3 grade IEC60034-30.2008 IE2 efficiency grade				额定转矩 Rated torque Nm	起动电流 / 额定电流 $I_s/I_n$	起动转矩 / 额定转矩 $T_s/T_n$	最大转矩 / 额定转矩 $T_{MAX}/T_n$	转动惯量 Moment of inertia (J) kgm <sup>2</sup>	重量 weight IM B3 kg	噪声 Noise levels  L <sub>pA</sub>
				效率 efficiency (4/4 负载 load) %	效率 efficiency (3/4 负载 load) %	Power factor cos φ	额定 电流 I <sub>n</sub> A							
<b>750rpm 8 - 极</b>														
<b>380VY 50HZ<sup>1)</sup></b>														
132S	1MB0061-1CD09-0 □□□	2.2	720	79.3	80.0	0.60	7.0	29.2	4.6	1.9	3	0.022	86	51
132M	1MB0061-1CD29-0 □□□	3	720	81.2	81.5	0.60	9.4	40	4.8	2	3	0.037	93	51
<b>750rpm 8 - 极</b>														
<b>380VD/660VY 50HZ</b>														
160M	1MB0061-1DD23-3 □□□	4	730	82.8	83.0	0.66	11.1	52	4.9	1.8	2.8	0.051	120	55
160M	1MB0061-1DD33-3 □□□	5.5	720	83.8	84.8	0.68	14.5	73	4.6	1.5	2.0	0.051	120	55
160L	1MB0061-1DD43-3 □□□	7.5	725	86.0	86.2	0.67	19.8	99	5	1.7	2.3	0.067	146	55
180L	1MB0061-1ED43-3 □□□	11	715	87.7	88.0	0.75	25.5	147	5	2.1	2.6	0.20	202	56
200L	1MB0061-2AD53-3 □□□	15	715	88.9	89.0	0.78	33.0	200	6	2.3	2.9	0.35	280	65
225S	1MB0061-2BD03-3 □□□	18.5	729	89.7	90.0	0.77	42.0	240	6.6	2.4	3	0.48	353	59
225M	1MB0061-2BD23-3 □□□	22	728	90.3	90.6	0.79	48.0	290	7	2.7	2.8	0.56	353	59
250M	1MB0061-2CD23-3 □□□	30	732	91.3	91.5	0.81	64	390	6.3	2.2	2.7	0.94	460	59
280S	1MB0061-2DD03-3 □□□	37	736	91.9	92.0	0.78	79	480	6.5	2.5	2.7	1.2	570	59
280M	1MB0061-2DD23-3 □□□	45	738	92.4	92.5	0.79	94	582	6.3	2.2	2.7	1.5	575	59
315S	1MB0061-3AD03-3 □□□	55	740	92.9	93.0	0.81	112	710	6.2	2	2.9	2.1	810	69
315M	1MB0061-3AD23-3 □□□	75	738	93.5	94.0	0.81	151	970	6.7	2.2	2.5	2.6	965	69
315L	1MB0061-3AD53-3 □□□	90	738	93.9	94.5	0.83	175	1165	5.9	1.8	2.3	3.3	1010	69
315L	1MB0061-3AD63-3 □□□	110	741	94.2	94.5	0.83	220	1418	7.1	2.3	3	4.2	1146	69
355M	1MB0061-3BD23-3 □□□	132	742	94.4	94.6	0.82	255	1699	6.4	1.7	2.4	7.5	1677	77
355M	1MB0061-3BD33-3 □□□	160	742	94.6	94.7	0.82	310	2059	6.7	1.9	2.4	8.3	1700	77
355L	1MB0061-3BD53-3 □□□	185	742	94.8	94.8	0.82	350	2381	6.3	1.7	2.3	1.3	1855	77
355L	1MB0061-3BD63-3 □□□	200	742	94.8	94.9	0.82	380	2574	6.4	1.8	2.3	11.5	2095	77

<sup>1)</sup> 380VY 50Hz, 电动机订货号第 12、13 号代码为 90, 且须带选件 M3F;

<sup>2)</sup> 关于绕组保护和接线盒位置的编码, 请见第 6 页“订货号”部分;

<sup>3)</sup> 噪声值仅适用于电动机在 50 Hz 电源直接供电且空载运行时的情况, 容差为 +3 dB。

<sup>1)</sup> 380VY 50Hz, the 12th, 13th digit of motor order No. must be "90",

<sup>2)</sup> About winding protection and connection box position, please refer to Orde No. in page 6.

<sup>3)</sup> Noise value is only applicable to motor in 50 Hz power supply and no-load running directly, tolerance to + 3 dB.

# 选件

# Options

选件号 <sup>1)</sup> Option Code <sup>1)</sup>	描述 Description	适用机座号范围 Application Scope
<b>特殊电压与频率 Special Voltages and frequency</b>		
M3F	380VY 50Hz	80 ~ 100 (3kW 及 3kW 以下功率)
<b>线圈和绝缘 Windings and insulation</b>		
Q04	绕组带 220 V 防潮加热带 Anti-condensation heater for 220 VAC (spaces heater)	315 ~ 355
<b>电动机接线盒 Motor connection box</b>		
R12	接线盒直接旋转 180° Rotation of the connection box through 180°	80 ~ 355
X96	接线盒两个进线孔 2 cable entries on connection box	200 ~ 225
X97	钢管布线孔 Steel pipe wiring hole	80 ~ 355
<b>轴承 Bearings</b>		
L80	SKF 轴承 SKF Bearing	80 ~ 355
L23 <sup>2)</sup>	再润滑装置 Regreasing device	180 ~ 225 <sup>2)</sup>
<b>机械设计和防护等级 Mechanical design and degrees of protection</b>		
H00	电动机带防护罩 Motor with protective cover	80 ~ 355
H03 <sup>3)</sup>	排水孔 Condensation drainage holes	112 ~ 355
<b>电气设备类别 Types of electrical equipment</b>		
<b>铭牌和测试证书 Rating plate and test certificates</b>		
B02	出厂检验报告 Acceptance test certificate 3.1 in accordance with EN 10204	80 ~ 355
<b>油漆颜色 Colours of paint</b>		
S01	不喷漆, 只带底漆 Unpainted, only primed	80 ~ 355

<sup>1)</sup> 订货时, 电动机订货号需带“-Z”, 另外附带上选件号;

<sup>2)</sup> 对于 IM B3 安装结构型式的电动机适用机座号范围为 180 ~ 225; 对于 IM B5 安装结构型式的电动机适用机座号范围为 200 ~ 225;

<sup>3)</sup> 仅适用于水平安装的电动机。对于 IM B5 安装结构型式的电动机, 选择此选件时, 必须确保接线盒处于机座顶端。

<sup>1)</sup> Order No. supplement Z with option code when ordering;

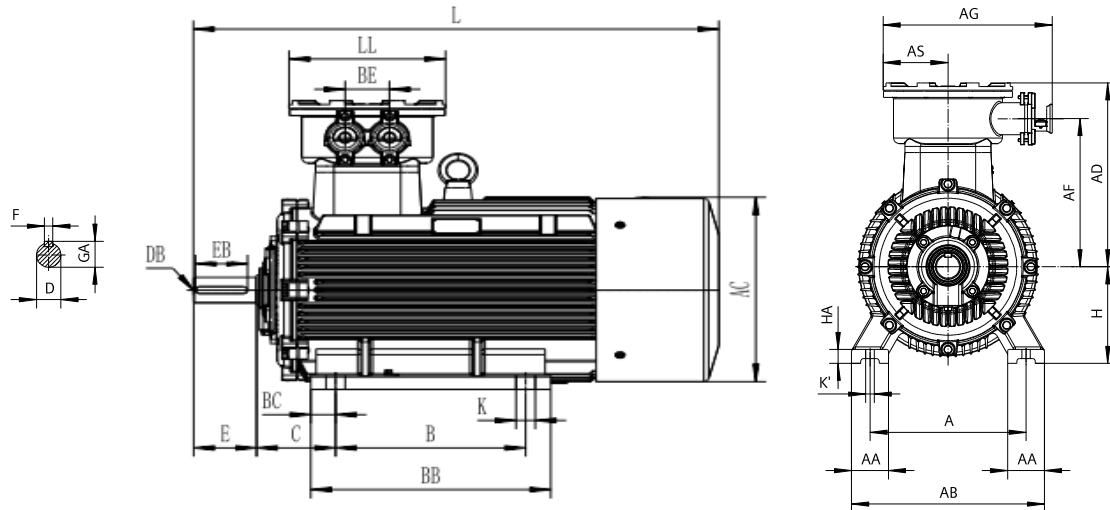
<sup>2)</sup> For motor with IM B3 construction and mounting type used in frame size of 180~225 motor, For motor with IM B5 construction and mounting type used in frame size of 200~225 motor

<sup>3)</sup> Only apply to horizontal motor. For motor with IM B5 construction and mounting type, Select this option, connection box must on top

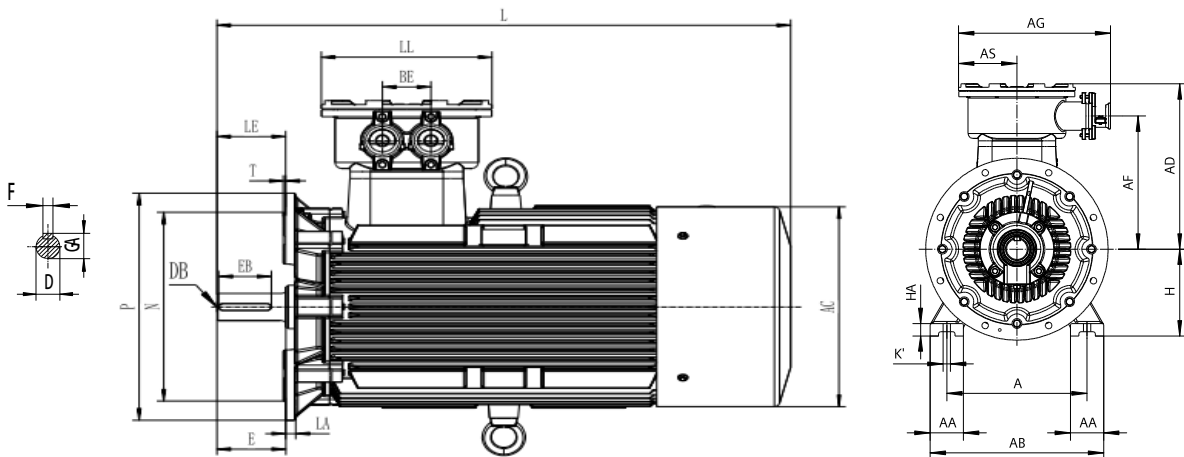
# 外形尺寸

# Dimension drawings

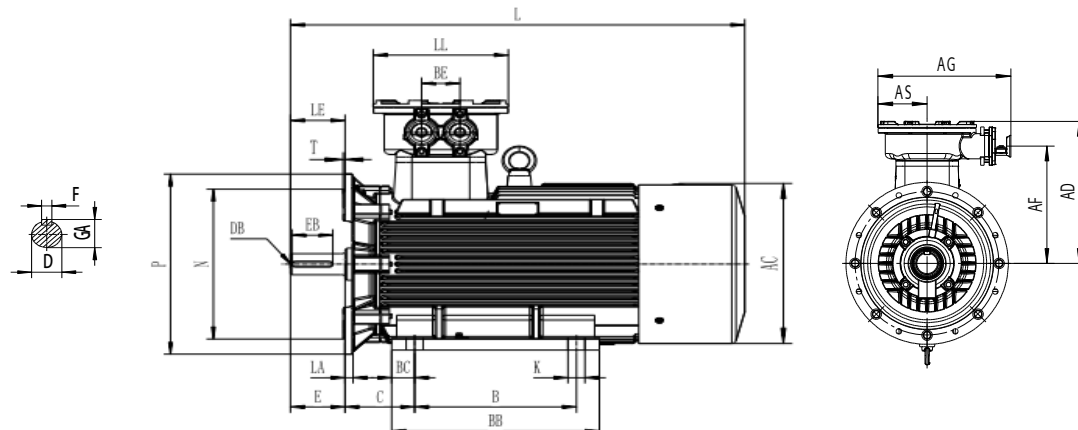
IM B3 安装结构型式  
Type of construction IM B3



IM B35 安装结构型式  
Type of construction IM B35



IM B5 以及 V1 安装结构型式  
Type of construction IM B5 and IM V1



# 外形尺寸

# Dimension drawings

机座号 Frame size	类型 Type 1MB0061-	极数 Poles	尺寸图依据 IEC 标准 Dimension designation according to IEC standards												
			A	AA	AB	AC <sup>1)</sup>	AD	AF	AG	AS	B <sup>2)</sup>	BB	BC	BE <sup>3)</sup>	C
80 M	0D.2	2, 4, 6	125	34	160	161	212	159	265	84	100	130	14	—	50
	0D.3	2, 4, 6	125	34	160	161	212	159	265	84	100	130	14	—	50
90 S	0E.0	2, 4, 6	140	36	176	175	220	167	265	84	100	130	15	—	56
90 L	0E.4	2, 4, 6	140	36	176	175	220	167	265	84	125	155	15	—	56
100 L	1A.4	2, 4, 6	160	43	200	196	240	187	265	84	140	174	16	—	63
	1A.5	4	160	43	200	196	240	187	265	84	140	174	16	—	63
112 M	1B.2	2, 4, 6	190	50	240	220	254	187	300	104	140	180	20	—	70
132 S	1C.0	2, 4, 6, 8	216	55	262	258	282	215	300	104	140	190	25	—	89
	1C.1	2	216	55	262	258	282	215	300	104	140	190	25	—	89
132 M	1C.2	4, 6, 8	216	55	262	258	282	215	300	104	178	230	25	—	89
	1C.3	6	216	55	262	258	282	215	300	104	178	230	25	—	89
160 M	1D.2	2, 4, 6, 8	254	70	324	311	329	259	318	108	210	258	24	—	108
	1D.3	2, 8	254	70	324	311	329	259	318	108	210	258	24	—	108
160 L	1D.4	2, 4, 6, 8	254	70	324	311	329	259	318	108	254	302	24	—	108
180M	1E.2	2, 4	279	70	349	356	350	280	318	108	241	321	35	—	121
180L	1E.4	4, 6, 8	279	70	349	356	350	280	318	108	279	359	35	—	121
200L	2A.4	2, 4, 6	318	70	388	398	381	311.5	371	129	305	369	32	90 <sup>3)</sup>	133
	2A.5	2, 6, 8	318	70	388	398	381	311.5	371	129	305	369	32	90 <sup>3)</sup>	133
225S	2B.0	4, 8	356	75	431	429	401	331.5	371	129	286	355	34	90 <sup>3)</sup>	149
225M	2B.2	2	356	75	431	429	401	331.5	371	129	311	380	34	90 <sup>3)</sup>	149
		4, 6, 8													
250M	2C.2	2	406	80	486	475	452	368	451	167	349	425	38	95	168
		4, 6, 8													
280S	2D.0	2	457	85	542	529	479	398	451	167	368	445	38.5	95	190
		4, 6, 8													
280M	2D.2	2	457	85	542	529	479	398	451	167	419	495	38.5	95	190
315S	3A.0	2	508	120	628	581	600	483	550	211	406	546	70	120	216
		4, 6, 8													
315M	3A.2	2	508	120	628	581	600	483	550	211	457	648	70	120	216
		4, 6, 8													
315L	3A.5/3A.6/3A.7	2	508	120	628	581	600	483	550	211	508	648	70	120	216
355M	3B.2	2	610	150	760	702	690	530	550	211	560	780	65	120	254
355S		6, 8									500	630			
355M	3B.3	2	610	150	760	702	690	530	550	211	560	780	65	120	254
355L	3B.4	6	610	150	760	702	690	530	550	211	560	780	65	120	254
	3B.5	2													
		4, 6, 8													
355L	3B.6	2	610	150	760	702	690	530	550	211	630	780	65	120	254

<sup>1)</sup> 含螺钉头的测量尺寸

<sup>2)</sup> 该尺寸为 DIN EN 50347 标准所列机座号对应尺寸

<sup>3)</sup> 对于 200 ~ 225 机座号的电动机，该尺寸仅适用于带两个进线孔（配置 X96 选项）的电动机

<sup>1)</sup> Measured across the bolt heads. <sup>2)</sup> This dimension is assigned in DIN EN 50347 to the frame size listed.

<sup>3)</sup> For frame size of 200~225 motor, only for the motor configured with X96 option.



# 外形尺寸

# Dimension drawings

机座号 Frame size	类型 Type 1MB0061-	极数 Poles	尺寸图依据 IEC 标准 Dimension designation according to IEC standards											
			H	HA	HH	K / K'	L	LL	D	DB	E	EB	F	GA
80 M	0D.2	2, 4, 6	80	10	101	10	339	168	19	M6	40	32	6	21.5
	0D.3	2, 4, 6	80	10	101	10	339	168	19	M6	40	32	6	21.5
90 S	0E.0	2, 4, 6	90	14	106	10	365	168	24	M8	50	40	8	27
90 L	0E.4	2, 4, 6	90	14	106	10	390	168	24	M8	50	40	8	27
100 L	1A.4	2, 4, 6	100	14	124	12	447	168	28	M10	60	50	8	31
	1A.5	4	100	14	124	12	447	168	28	M10	60	50	8	31
112 M	1B.2	2, 4, 6	112	18.5	125	12	445	208	28	M10	60	50	8	31
132 S	1C.0	2, 4, 6, 8	132	18	122	12	495	208	38	M12	80	70	10	41
	1C.1	2	132	18	122	12	495	208	38	M12	80	70	10	41
132 M	1C.2	4, 6, 8	132	18	122	12	525	208	38	M12	80	70	10	41
	1C.3	6	132	18	122	12	525	208	38	M12	80	70	10	41
160 M	1D.2	2, 4, 6, 8	160	25	141	15	625	216	42	M16	110	100	12	45
	1D.3	2, 8	160	25	141	15	625	216	42	M16	110	100	12	45
160 L	1D.4	2, 4, 6, 8	160	25	141	15	665	216	42	M16	110	100	12	45
180M	1E.2	2, 4	180	22	169	15	742	216	48	M16	110	100	14	51.5
180L	1E.4	4, 6, 8	180	22	169	15	762	216	48	M16	110	100	14	51.5
200L	2A.4	2, 4, 6	200	25	200	19	810	258	55	M20	110	100	16	59
	2A.5	2, 6, 8	200	25	200	19	810	258	55	M20	110	100	16	59
225S	2B.0	4, 8	225	28	205	19	865	258	60	M20	140	125	18	64
225M	2B.2	2	225	28	205	19	890	258	55	M20	110	100	16	59
		4, 6, 8					890		60		140	125	18	64
250M	2C.2	2	250	30	236	24	939	334	60	M20	140	125	18	64
		4, 6, 8							65					69
280S	2D.0	2	280	35	280	24	1014	334	65	M20	140	125	18	69
		4, 6, 8							75				20	79.5
280M	2D.2	2	280	35	280	24	1029	334	65	M20	140	125	18	69
		4, 6, 8							75				20	79.5
315S	3A.0	2	315	45	299	28	1188	422	65	M20	140	125	18	69
		4, 6, 8					1218		80		170	140	22	85
315M	3A.2	2	315	45	299	28	1388	422	65	M20	140	125	18	69
		4, 6, 8					1418		80		170	140	22	85
315L	3A.5/3A.6/3A.7	2	315	45	299	28	1388	422	65	M20	140	125	18	69
		4, 6, 8					1418		80		170	140	22	85
355M	3B.2	2	355	50	294	28	1485	422	75	M20	140	125	20	79.5
		4					1520		95	M24	170	140	25	100
355S		6, 8				1340		95						
355M	3B.3	2	355	50	294	28	1485	422	75	M20	140	125	20	79.5
		4, 6, 8					1520		95	M24	170	140	25	100
355L	3B.4	6	355	50	294	28	1520	422	95	M24	170	140	25	100
		2	355	50	294	28	1485	422	75	M20	140	125	20	79.5
	3B.5	4, 6, 8					1520		95	M24	170	140	25	100
		2	355	50	294	28	1485	422	75	M20	140	125	20	79.5
3B.6	3B.6	4, 6, 8				1520		95	M24	170	140	25	100	
		2	355	50	294	28	1485	422	75	M20	140	125	20	79.5
		4, 6, 8				1520		95	M24	170	140	25	100	

# 外形尺寸

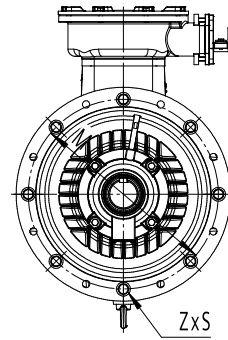
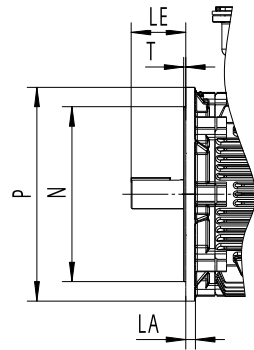
# Dimension drawings

## 法兰尺寸

IM B5、IM B35、IM V1、IM V3 安装结构型式

## Flange dimension

Type of construction IM B5, IM B35, IM V1, IM V3



机座号 Frame size	安装结构型式 Type of construction	法兰带通孔 (FF / A) Flange with through holes (FF/A)	尺寸图依据 Dimension designation according							
		按 DIN / EN 50 347 标准 According to DIN EN 50347	LA	LE	M	N	P	S	T	Z
80	IM B5, IM B35, IM V1, IM V3	FF 165	12	40	165	130	200	12	3.5	4
90	IM B5, IM B35, IM V1, IM V3	FF 165 FT 115	12	50	165	130	200	12	3.5	4
100	IM B5, IM B35, IM V1, IM V3	FF 215 FT 130	13	60	215	180	250	14.5	4	4
112	IM B5, IM B35, IM V1, IM V3	FF 215 FT 130	13	60	215	180	250	14.5	4	4
132	IM B5, IM B35, IM V1, IM V3	FF 265	15	80	265	230	300	14.5	4	4
160	IM B5, IM B35, IM V1, IM V3	FF 300	18	110	300	250	350	18.5	5	4
180	IM B5, IM B35, IM V1	FF 300	18	110	300	250	350	18.5	5	4
200	IM B5, IM B35, IM V1	FF 350	20	110	350	300	400	18.5	5	4
225	IM B5, IM B35, IM V1	FF 400	20	110/140	400	350	450	18.5	5	8
250	IM B5, IM B35, IM V1	FF 500	22	140	500	450	550	18.5	5	8
280	IM B5, IM B35, IM V1	FF 500	25	140	500	450	550	18.5	5	8
315	IM B35, IM V1	FF 600	25	140/170	600	550	660	24	6	8
355	IM B35	FF 740	25	140/170	740	680	800	24	6	8

# 认证

# Certificates

